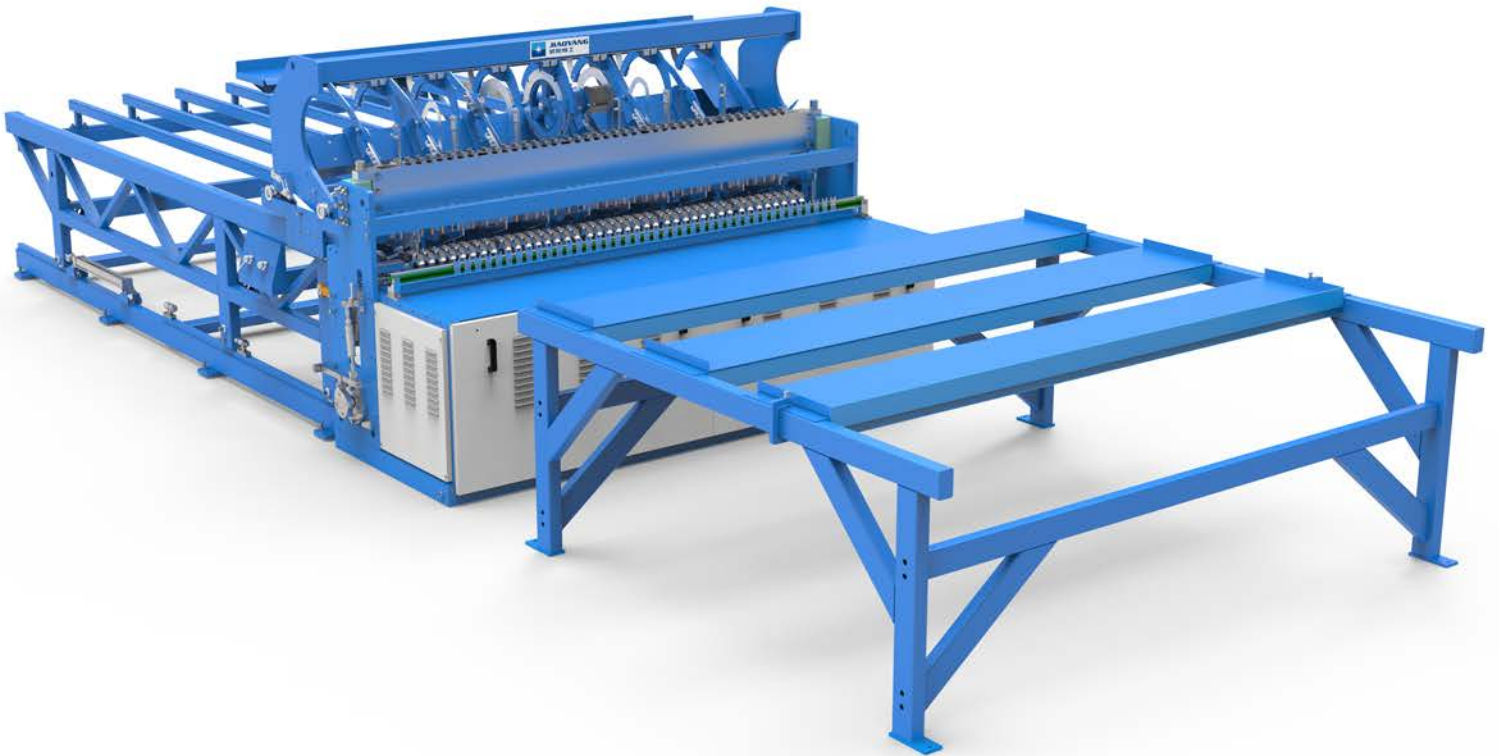




JIAOYANG
骄阳焊工

WIRE MESH WELDING MACHINE

GWC2500B-01



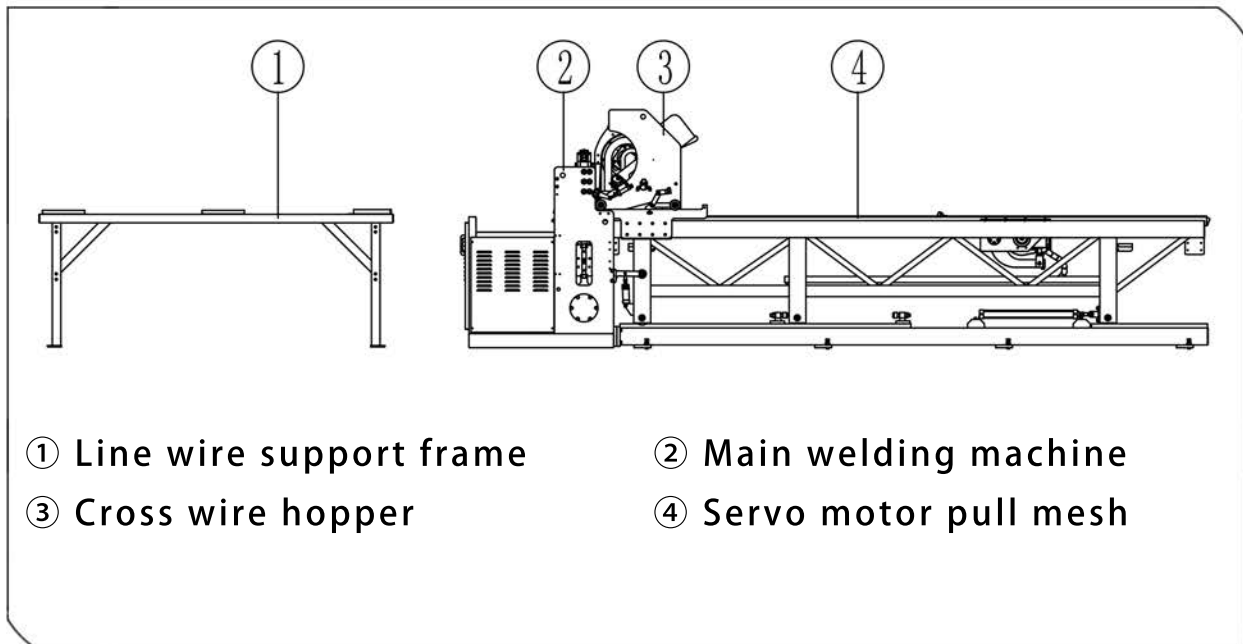
Jiaoyang Welding Industries Hebei Co., Ltd.

ADD: No. 28, Wei'Er Road, Eastern Industrial Zone, Anping County, Hebei Province , China ,053600

TEL: +86-318-7063110

FAX:+86-318-7800251

web:www.jiaoyangen.net

Layout

basic parameter

GWC1200/1600/2500/3000B-01			
Mesh width	1200/1600/2500/3000mm	Wire diameter	3.0-5.0mm
Mesh length	≤6000mm	Number of electrodes	24/32/48/60Pcs
Cross wire space	≥50mm	Transformer	125KVA×3/4/6/8
Line wire space	50-200mm	Tolerance of diagonal line	±2mm (when 2m length)
Welding speed	60-80times/min	Welding material	black wire, galvanized wire

Description of machines

line wire supporting frame

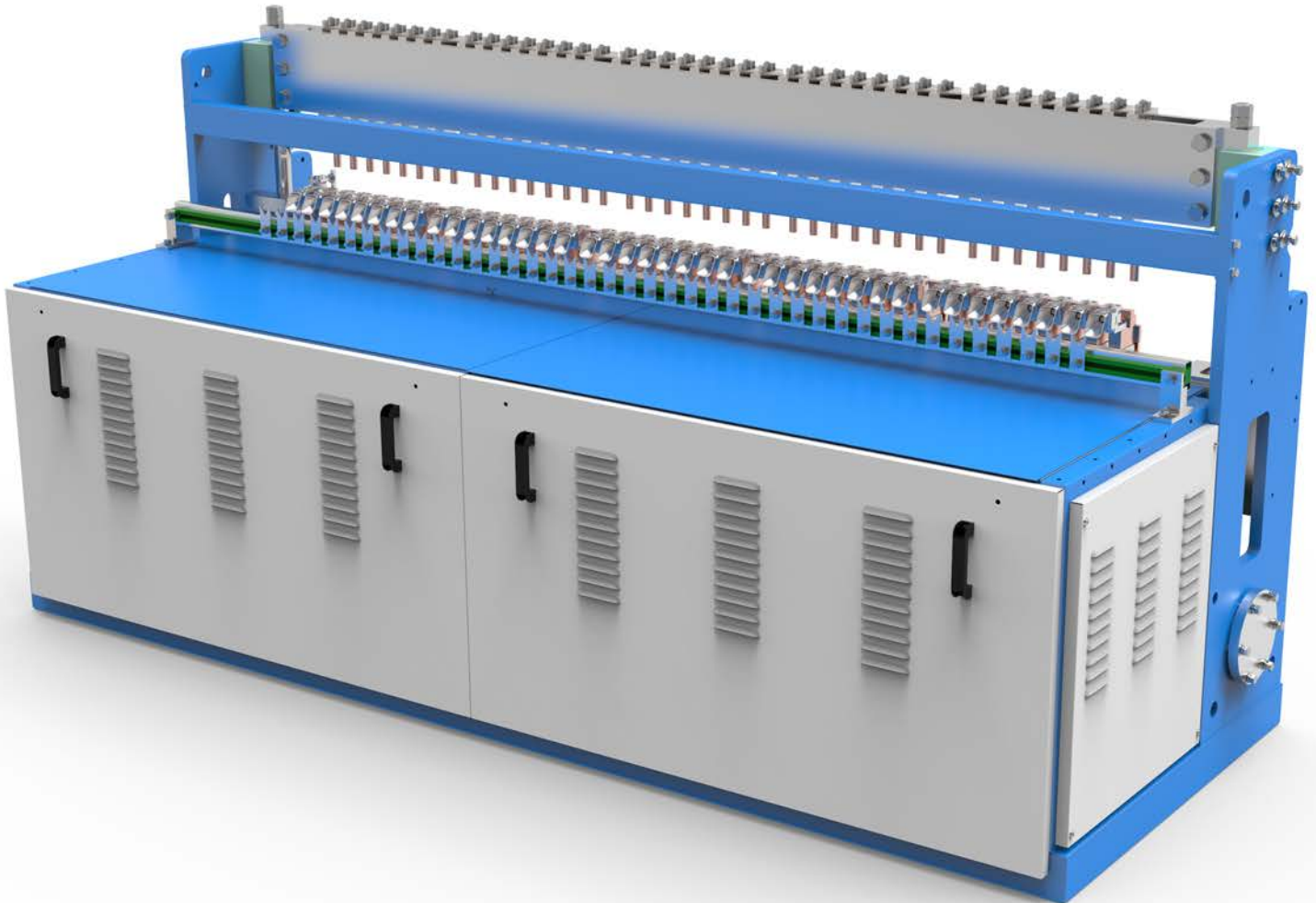


>Fixed line wire supporting frame

>The maximum bearing length is 6meters.

Description of machines

main welding machine



>Long service life of upper contact spring

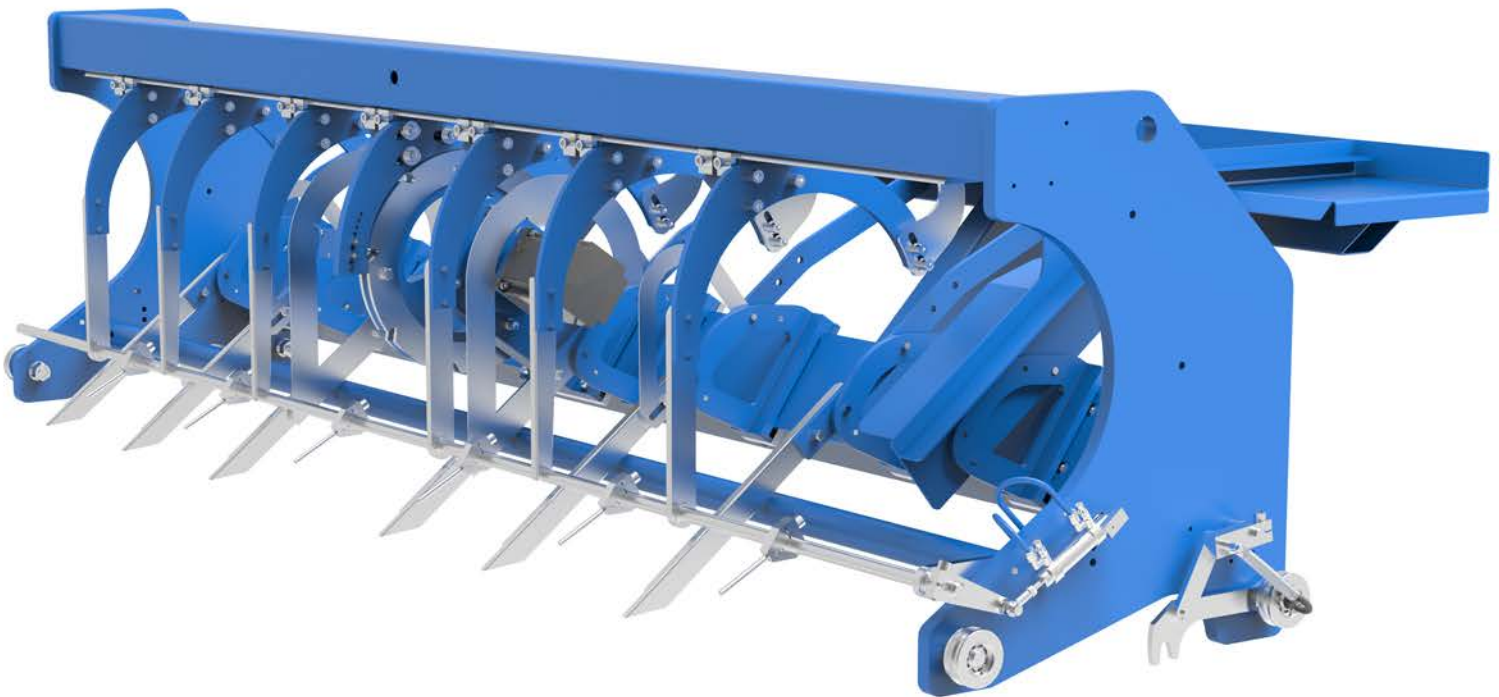
>Independent electrode and line wire feeding unit, convenience and fast to change.

>Both the cross and lines wire have locating devices, with little error

>Cooling circuit system, prolong the life of the electrode.

Description of machines

cross wire hopper

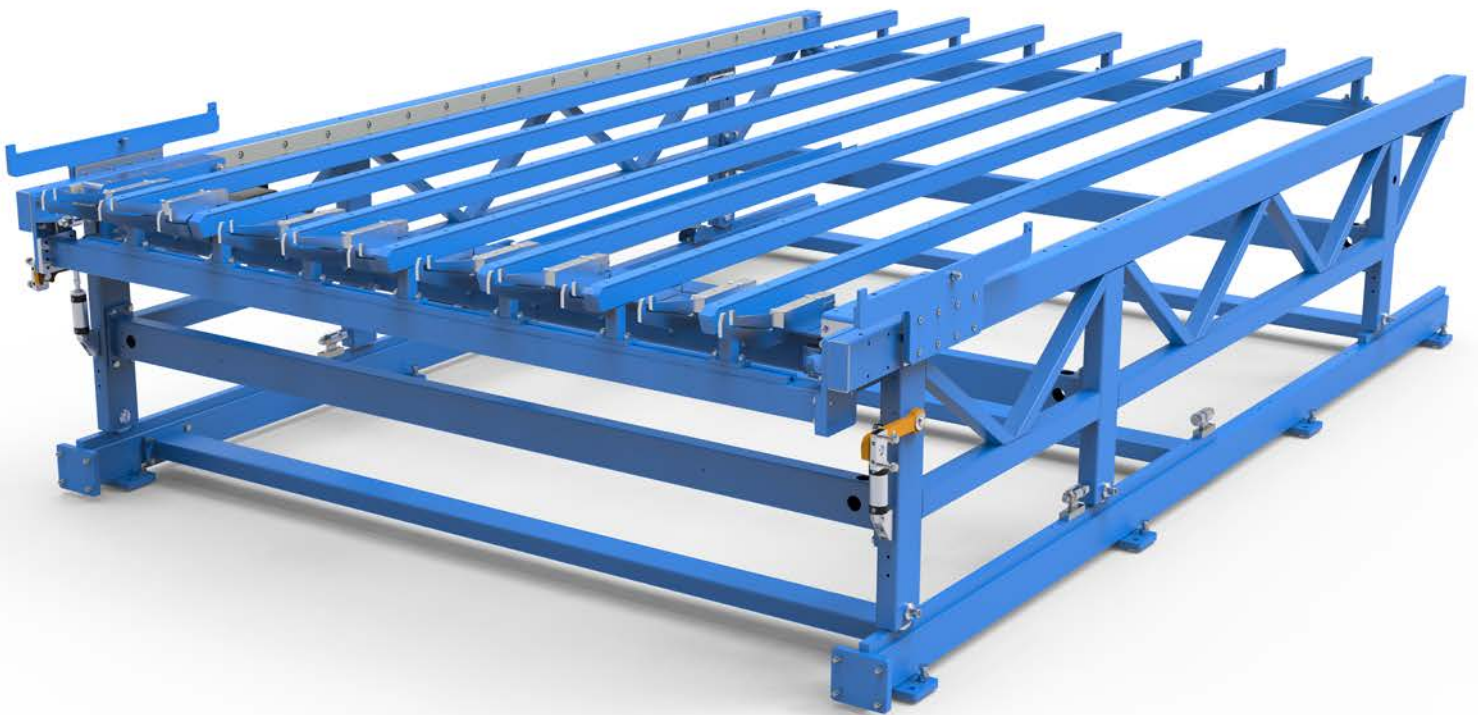


>The cross wire hopper and the main welding machine can be separated, which is convenient for personnel to adjust and maintain.

>Cross wire line detection unit to ensure the continuity of welding work

Description of machines

servo motor pull mesh



>Servo motor pull mesh, with high mesh accuracy and fast speed.



JIAOYANG
骄阳焊工

Jiaoyang Welding Industries Hebei Co., Ltd.

TEL: +86-318-7063110

E-mail:joy@jiaoyangen.net

ADD: No. 28, Wei'Er Road, Eastern Industrial
Zone, Anping County, Hebei Province ,
China ,053600

FAX:+86-318-7800251

web:www.jiaoyangen.net